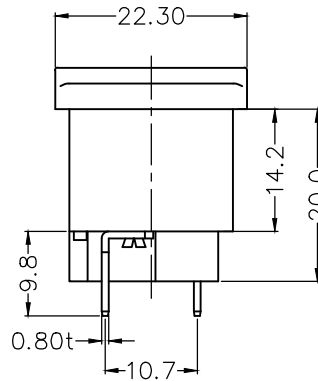
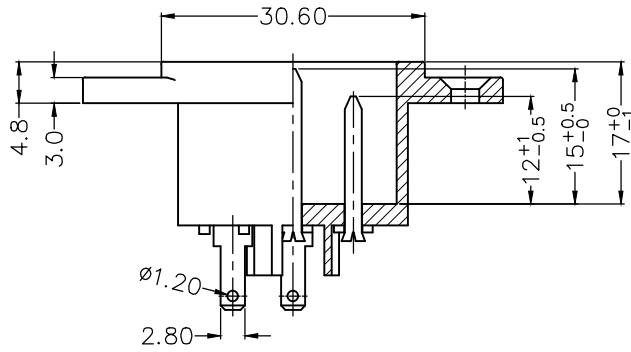
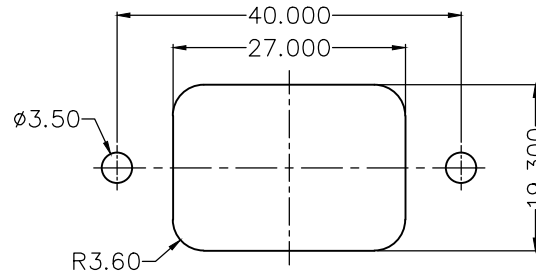
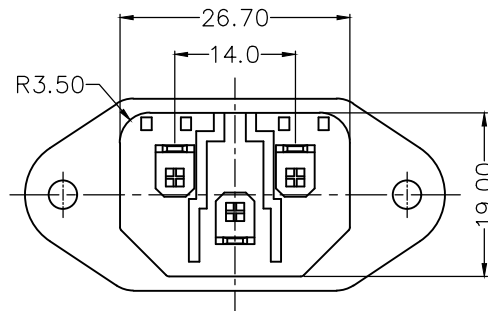


FOR REAR MOUNTING USE
PANEL CUT-OUT



FOR FRONT MOUNTING USE
PANEL CUT-OUT



SPECIFICATION

A: MATERIAL:

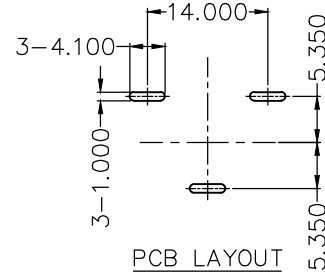
- 1.HOUSING: PBT(BLACK), UL 94V-0
- 2.PIN & TERMINAL: COPPER ALLOY, TIN PLATED

B: CHARACTERISTICS:

1. RATING: 10A 250V~ VDE, KC, CCC
15A 250V~ UL
2. INSULATION RESISTANCE: 100MΩ MIN, AT 500V DC
3. ELECTRIC STRENGTH: AC 2000V FOR ONE MINUTE

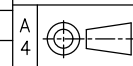
C: APPROVALS:

UL, CUL, VDE, KC & CCC



东莞市德沃电子科技有限公司 Dongguan Dewo Electronics Technology Co., Ltd.				PART NO.: HC-99-05E0B00-S11S11		NAME: AC INLET 3P SOCKET	
TOLERANCE UNLESS OTHERWISE MARKED DIMENSION: ANGULAR: .000 : ±0.1 ±3° .00 : ±0.2 .0 : ±0.3				MATERIAL: SEE ABOVE		SPEC.: IEC 60320-1, C14	
APPROVED		CHECKED		DESIGNER		NOTE:	
Peter		Double		Shawn		JOB NO.: S99-XXXX	

5			
4			
3			
2	2021.03.20	RELEASE	NEW REVISION
1	2015.10.09	RELEASE	NEW REVISION
REV.	DATE	DOCUMENT	DESCRIPTION



UNIT: mm
SCALE: 1 : 1
SHEET: 1 of 1