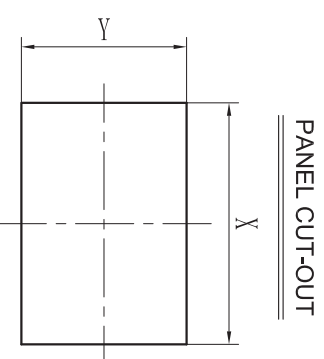
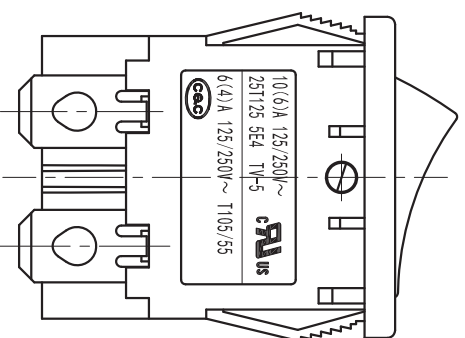
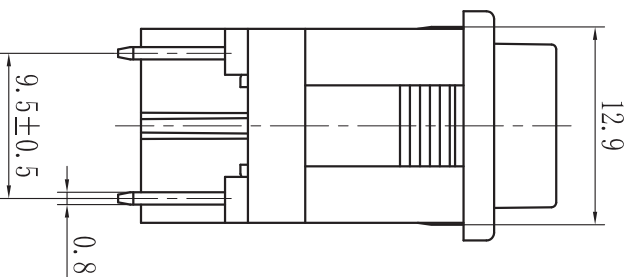
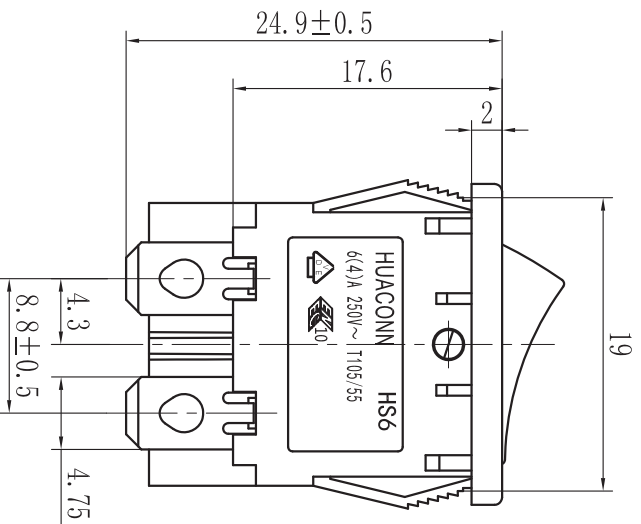


**Technical requirements:**

1. Rating : CQC : 6(4)A 125/250V~  
VDE, ENEC : 6(4)A 250V~  
UL , cUL : 10(6) A 125/250V~  
TV-5
2. Operating force: 800±400gf
3. Contact resistance: ≤50mΩ
4. Electrical life: ≥10000 cycles
5. Withstand Voltage :Between all terminals:  
1500VAC (50-60Hz)1min  
Terminals to Button:  
3000V AC (50-60Hz)1min  
Leakage Current : 20mA
6. Insulation Resistance : ≥100MΩ 500V DC
7. Environmental temperature: : -25~+125℃



PANEL THICKNESS	DIM.X	DIM.Y
0.75~1.25	19.0~19.2	13.0
1.25~2.0	19.3~19.5	13.0
2.0~3.0	19.6~19.8	13.0

UNIT 单位: mm

COMMON TOLERANCE

普通公差

0~10 ±0.1;  
10~20 ±0.2;  
20~50 ±0.3;  
50~ ±0.5;

ISSUE版本

A

DATE日期

2015/12/04

DESCRIPTIONS修改

APPD.核准

PRODUCT NAME 产品名称: Rocker switch

PART NO. 料号: HS6-F5-6-04Q100-BB03

PRODUCT MODEL 型号: HS6

DWN. 绘制: 胡新旺

CHK'D 审核:

APPD.核准:

DATE日期: 2015.12.04

DATE日期: 2015.12.04

DATE日期: 2015.12.04

Figure No. 图号

HS6F5C1001

东莞市德沃电子科技有限公司 Dongguan Dewo Electronics Technology Co., Ltd.